



# AP Dynamometer Specifications

See APxtreme Dynamometer specifications for critical and overhead lifting applications.

## Pound Capacities

5" (125mm) Dial Size		10" (250 mm) Dial Size		Ultimate Safety Factor	
<u>Part number</u>	<u>Cap x division size</u>	<u>Part number</u>	<u>Cap x division size</u>		
LOW	30006-0019	500 x 5	30007-0018	500 x 2	5:1
	30006-0027	1,000 x 10	30007-0026	1,000 x 5	5:1
	30006-0035	2,000 x 20	30007-0034	2,000 x 10	5:1
	30006-0043	4,000 x 25	30007-0042	4,000 x 20	5:1
	30006-0050	5,000 x 50	30007-0059	5,000 x 20	5:1
	30006-0068	6,000 x 50	30007-0067	6,000 x 25	5:1
	30006-0076	8,000 x 50	30007-0075	8,000 x 50	5:1
	30006-0084	10,000 x 100	30007-0083	10,000 x 50	5:1
MED	30006-0092	15,000 x 100	30007-0091	15,000 x 100	5:1
	30006-0100	20,000 x 200	30007-0109	20,000 x 100	4.5:1
HIGH			30784-0017	30,000 x 200	5:1
			30784-0025	40,000 x 200	4:1
			30784-0033	50,000 x 200	3:1
			30332-0014	100,000 x 500	4:1

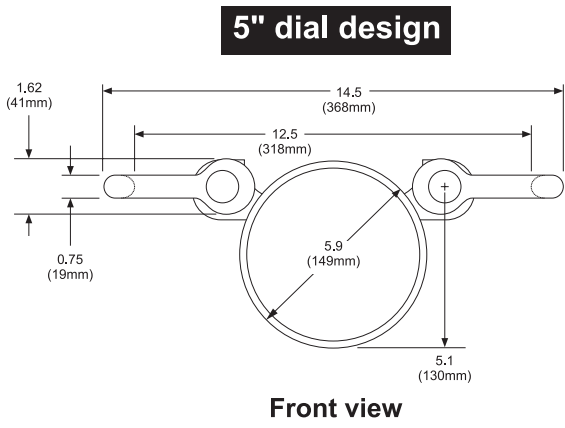
## Kilogram Capacities

5" (125mm) Dial size		10" (250mm) Dial size		Ultimate Safety Factor	
<u>Part number</u>	<u>Cap x division size</u>	<u>Part number</u>	<u>Cap x division size</u>		
LOW	30006-0142	200 x 2	30007-0141	200 x 1	5:1
	30006-0134	500 x 5	30007-0133	500 x 2	5:1
	30006-0159	1,000 x 10	30007-0158	1,000 x 5	5:1
	30006-0126	2,000 x 20	30007-0125	2,000 x 10	5:1
	30006-0167	4,000 x 25	30007-0166	4,000 x 20	5:1
	30006-0175	5,000 x 50	30007-0174	5,000 x 20	5:1
	MED	30006-0118	10,000 x 100	30007-0117	10,000 x 50
HIGH			30784-0041	15,000 x 100	5:1
			30784-0058	20,000 x 100	4:1
			30332-0022	50,000 x 200	4:1

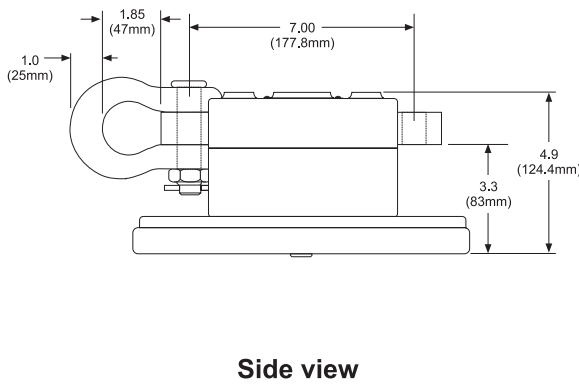
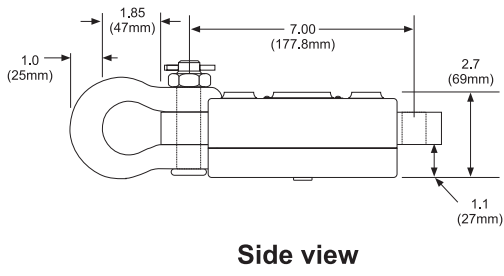
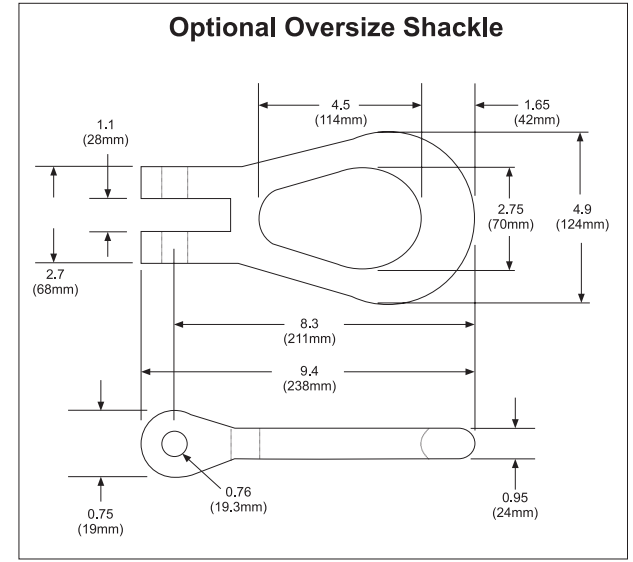
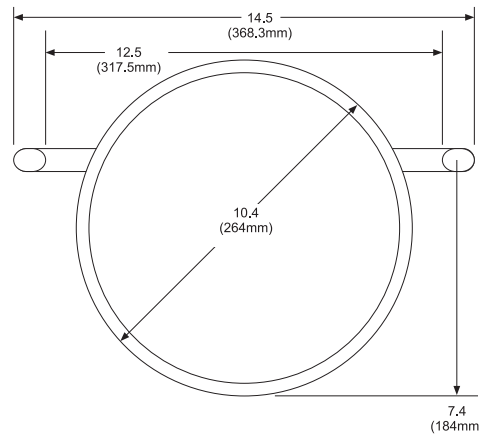
# Model AP Dynamometer Dimensions

Dimensions in inches (mm)  
 Drawing scales differ between capacities  
 Dimensions subject to manufacturer /supplier tolerances and  
 are subject to change without notice.

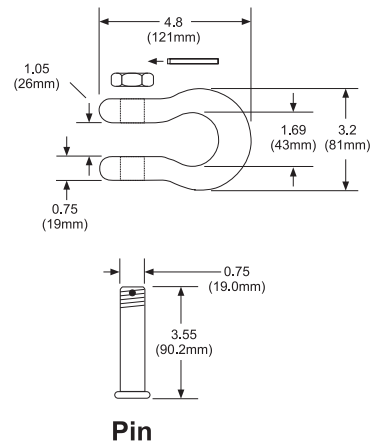
## Low & Medium Capacities 500-20,000lb / 200-10,000kg



**10" dial design**

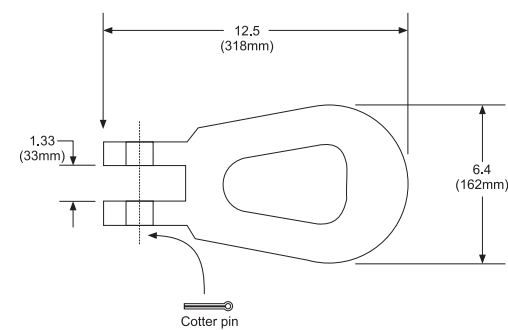
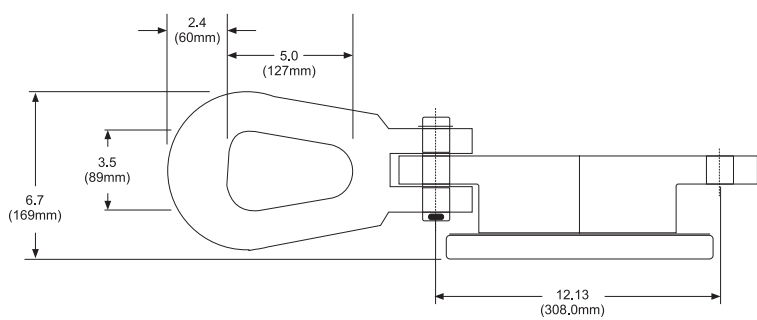
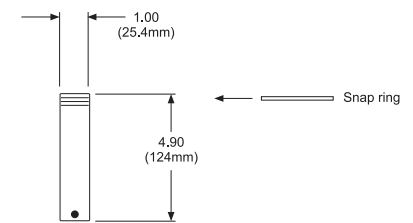
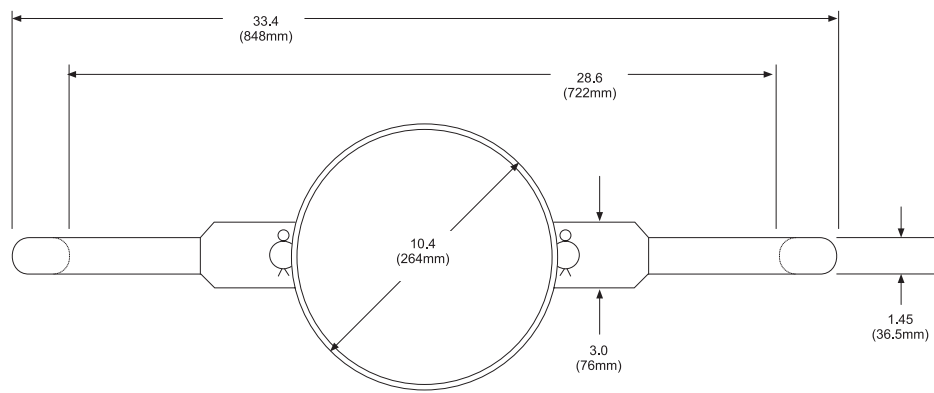


**Standard Shackle**



## High Capacities 30,000-50,000lb / 15,000-20,000kg

*For smaller, lighter and/or anchor shackles see Dillon APxtreme.*



## High Capacities 100,000lb / 50,000kg

*For smaller, lighter and/or anchor shackles see Dillon APxtreme.*

